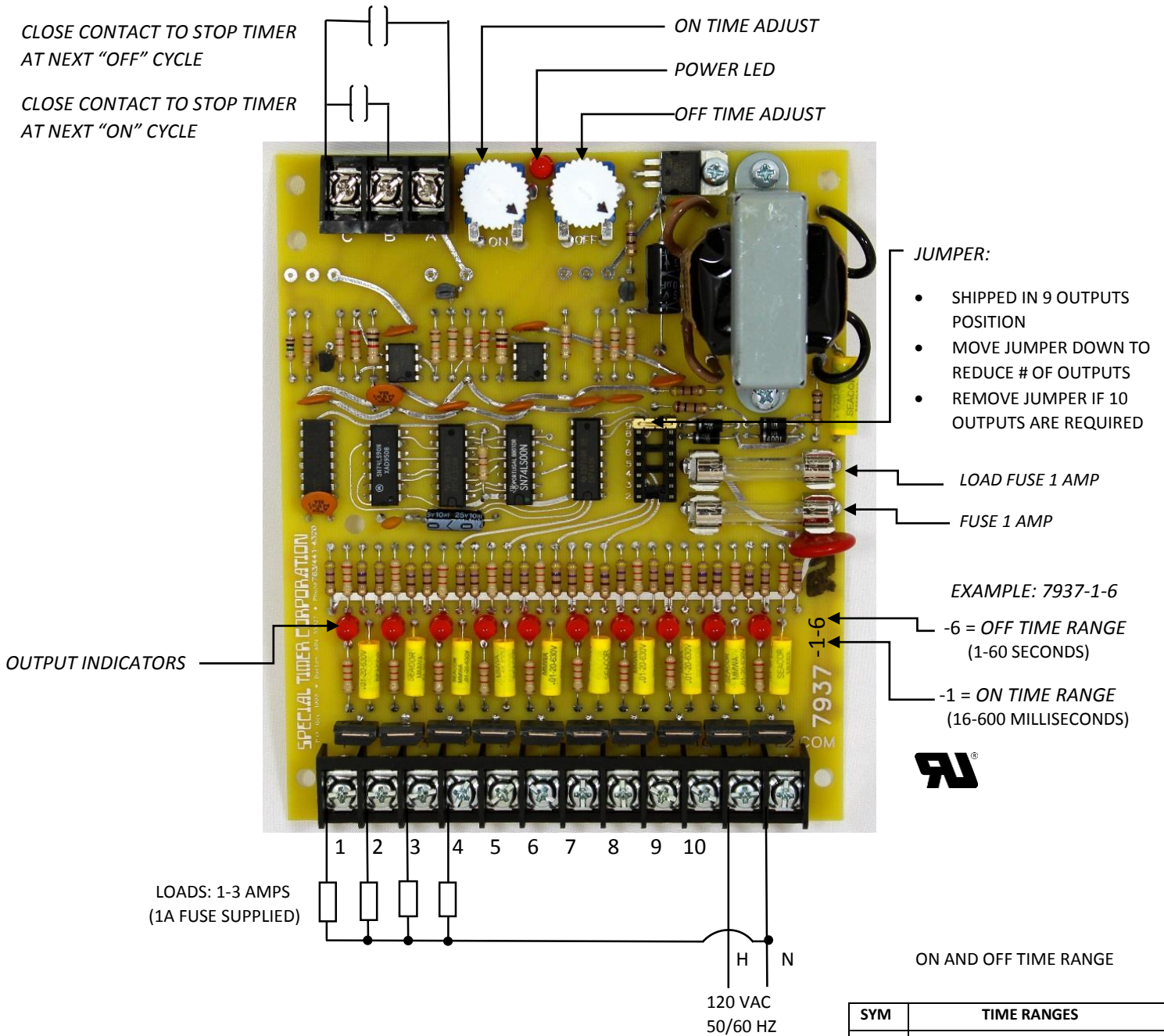


# MODEL 7937 FIELD CONNECTION DIAGRAM



**SEQUENCE:**

- No. 1 ON THEN No. 1 OFF, THEN No. 2 ON THEN No. 2 OFF, AND SO ON TO LAST OUTPUT, THEN BACK TO No. 1 AND CYCLE REPEATS
- ON TIME AND OFF TIME ARE INDEPENDENTLY ADJUSTABLE
- FOR AVAILABLE TIMES SEE TABLE AT RIGHT

**ON AND OFF TIME RANGE**

SYM	TIME RANGES
1	16 TO 600 MILLISECONDS
2	30 MILLISECONDS TO 1.2 SECONDS
3	.1 TO 6 SECONDS
4	.2 TO 12 SECONDS
5	.3 TO 20 SECONDS
6	1 TO 60 SECONDS
7	2 SECONDS TO 2 MINUTES
8	15 SECONDS TO 10 MINUTES
9	.5 TO 20 MINUTES
10	1 TO 45 MINUTES
11	2 MINUTES TO 1.5 HOURS
12	3 MINUTES TO 2 HOURS